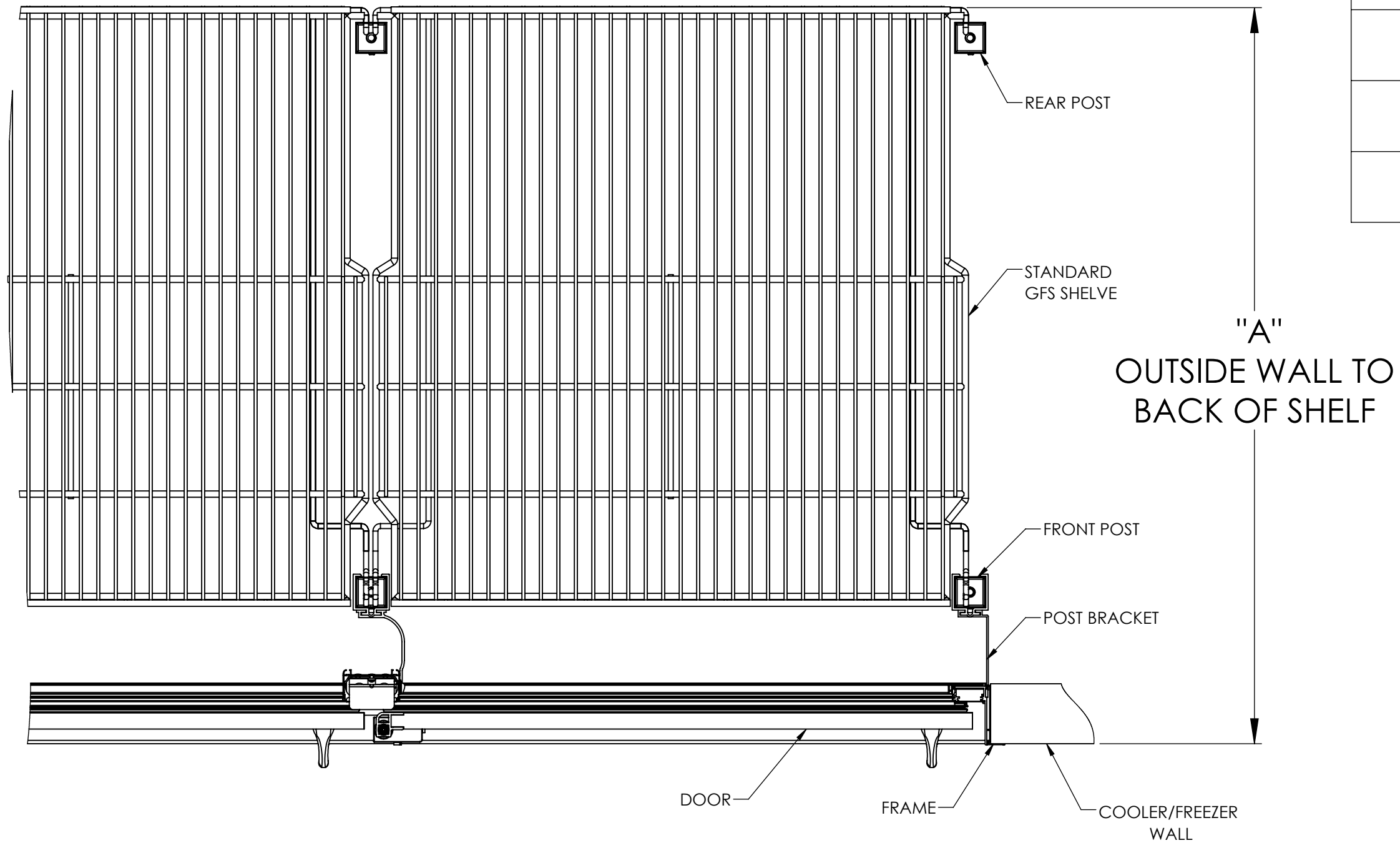


# SHELVES DEPTH "A"

24	30.875
27	33.875
30	36.875
36	42.875
42	48.875



REV.	DESCRIPTION	BY	APP	DATE
A	FIRST RELEASE	LM	EM	2023-09-29

UNLESS OTHERWISE SPECIFIED,  
DIMENSIONS ARE IN INCHES

**TOLERANCES:**  
 FRACTIONAL: 1/32  
 ANGULAR: 1°  
 .XX .03  
 .XXX .015

DRAWING STD AINSI Y14.5

THIRD ANGLE PROJECTION

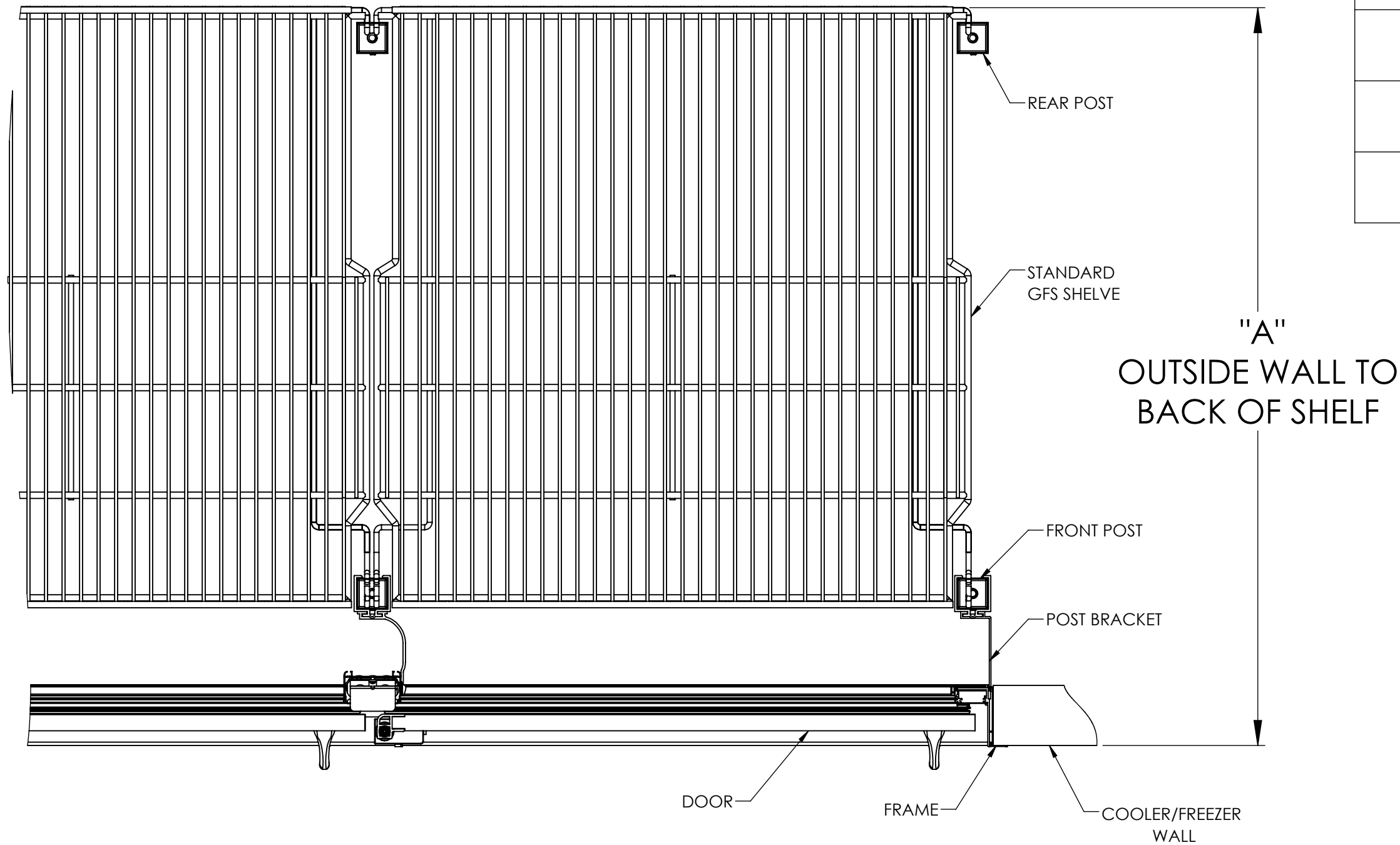
DRAWN BY L.MARCANO	DATE 2023-10-10
CHECKED BY ---	DATE ---
APPROVED BY ---	DATE ---
FINISH	MATERIAL ---

THE INFORMATION CONTAINED IN THIS DRAWING IS THE SOLE PROPERTY OF ENERGY DOOR COMPANY. ANY REPRODUCTION IN PART OR AS A WHOLE WITHOUT THE WRITTEN PERMISSION OF ENERGY DOOR COMPANY IS PROHIBITED.

<b>SETBACK CHART - FLAT SINGLE SHELF</b>	
DWG. NO. <b>XXXXXXXX</b>	REVISION <b>A</b>
SIZE <b>B</b>	WEIGHT --- Lbs
SHEET 1 OF 4	

# SHELVES DEPTH "A"

24	30.875
27	33.875
30	36.875
36	42.875
42	48.875



REV.	DESCRIPTION	BY	APP	DATE
A	FIRST RELEASE	LM	EM	2023-09-29

UNLESS OTHERWISE SPECIFIED, DIMENSIONS ARE IN INCHES

**TOLERANCES:**  
 FRACTIONAL: 1/32  
 ANGULAR: 1°  
 .XX .03  
 .XXX .015

DRAWING STD AINSI Y14.5

THIRD ANGLE PROJECTION

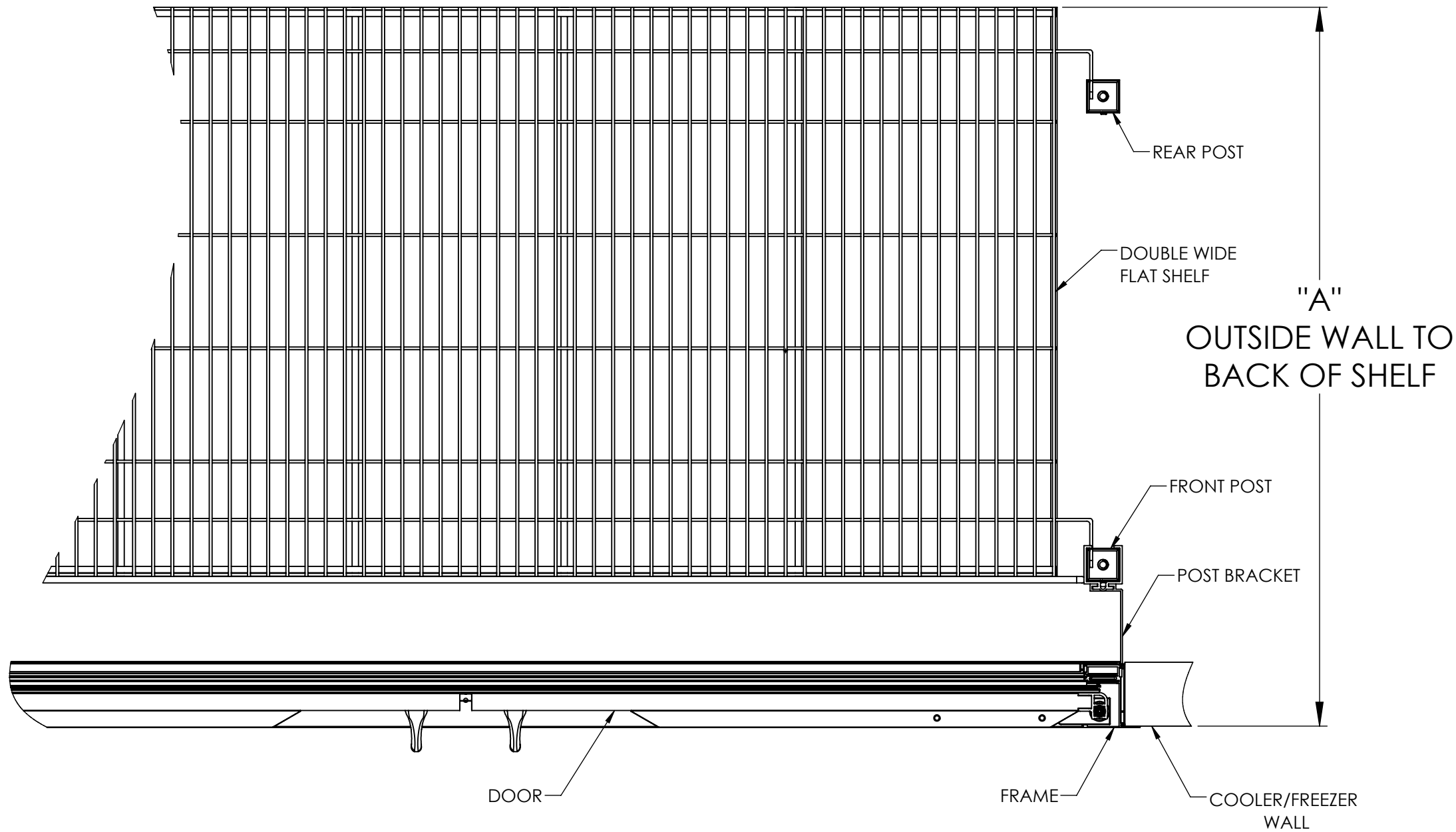
DRAWN BY	L.MARCANO	DATE	2023-10-10
CHECKED BY	---	DATE	
APPROVED BY	---	DATE	
FINISH			
MATERIAL	---		

THE INFORMATION CONTAINED IN THIS DRAWING IS THE SOLE PROPERTY OF ENERGY DOOR COMPANY. ANY REPRODUCTION IN PART OR AS A WHOLE WITHOUT THE WRITTEN PERMISSION OF ENERGY DOOR COMPANY IS PROHIBITED.

<b>SETBACK CHART - GFS SINGLE</b>	
DWG. NO.	<b>XXXXXXXX</b>
REVISION	<b>A</b>
SIZE	<b>B</b>
WEIGHT	--- Lbs
SHEET	2 OF 4

# SHELVES DEPTH "A"

24	30.750
27	33.750
30	36.750
36	42.750
42	48.750



REV.	DESCRIPTION	BY	APP	DATE
A	FIRST RELEASE	LM	EM	2023-09-29

UNLESS OTHERWISE SPECIFIED,  
DIMENSIONS ARE IN INCHES

**TOLERANCES:**  
 FRACTIONAL: 1/32  
 ANGULAR: 1°  
 .XX .03  
 .XXX .015

DRAWING STD AINSI Y14.5

THIRD ANGLE PROJECTION

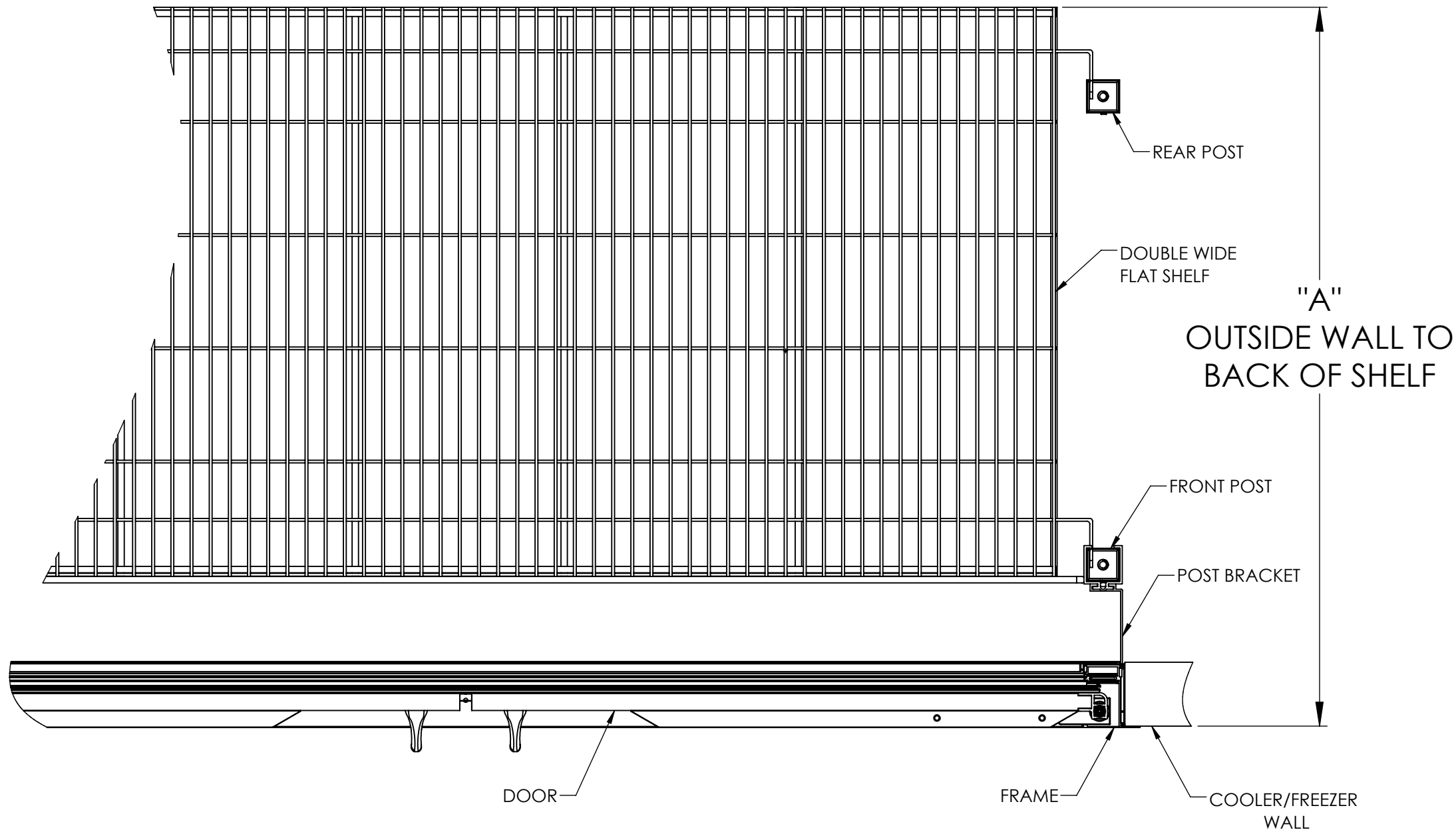
DRAWN BY L.MARCANO	DATE 2023-10-10
CHECKED BY ---	DATE
APPROVED BY ---	DATE
FINISH	
MATERIAL ---	

THE INFORMATION CONTAINED IN THIS DRAWING IS THE SOLE PROPERTY OF ENERGY DOOR COMPANY. ANY REPRODUCTION IN PART OR AS A WHOLE WITHOUT THE WRITTEN PERMISSION OF ENERGY DOOR COMPANY IS PROHIBITED.

<b>SETBACK CHART - FLAT DOUBLE SHELF</b>	
DWG. NO. <b>XXXXXXXX</b>	REVISION <b>A</b>
SIZE <b>B</b>	WEIGHT --- Lbs
SHEET 3 OF 4	

# SHELVES DEPTH "A"

24	30.750
27	33.750
30	36.750
36	42.750
42	48.750



REV.	DESCRIPTION	BY	APP	DATE
A	FIRST RELEASE	LM	EM	2023-09-29

UNLESS OTHERWISE SPECIFIED,  
DIMENSIONS ARE IN INCHES

**TOLERANCES:**  
 FRACTIONAL: 1/32  
 ANGULAR: 1°  
 .XX .03  
 .XXX .015

DRAWING STD ANSI Y14.5

THIRD ANGLE PROJECTION

DRAWN BY L.MARCANO	DATE 2023-10-10
CHECKED BY ---	DATE
APPROVED BY ---	DATE
FINISH	
MATERIAL ---	

		<small>THE INFORMATION CONTAINED IN THIS DRAWING IS THE SOLE PROPERTY OF ENERGY DOOR COMPANY. ANY REPRODUCTION IN PART OR AS A WHOLE WITHOUT THE WRITTEN PERMISSION OF ENERGY DOOR COMPANY IS PROHIBITED.</small>	
<b>SETBACK CHART - GFS DOUBLE</b>			
DWG. NO.		REVISION	
<b>XXXXXXX</b>		<b>A</b>	
SIZE	WEIGHT	SHEET	
<b>B</b>	--- Lbs	<b>4 OF 4</b>	