

Pass-Thru Installation

Installation & Adjustment Instructions



1 844 433-0332



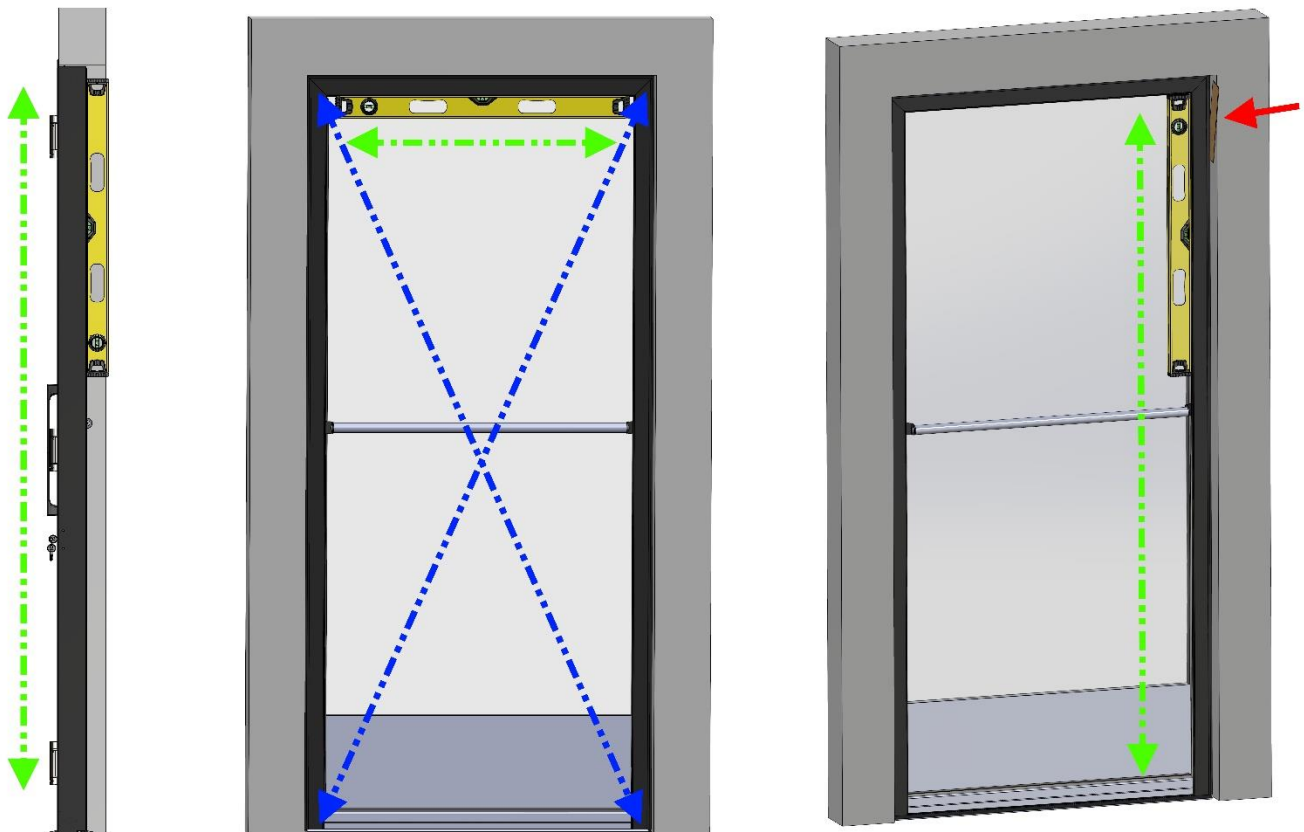
sales@energydoorco.co



energydoorco.com

1. FRAME INSTALLATION

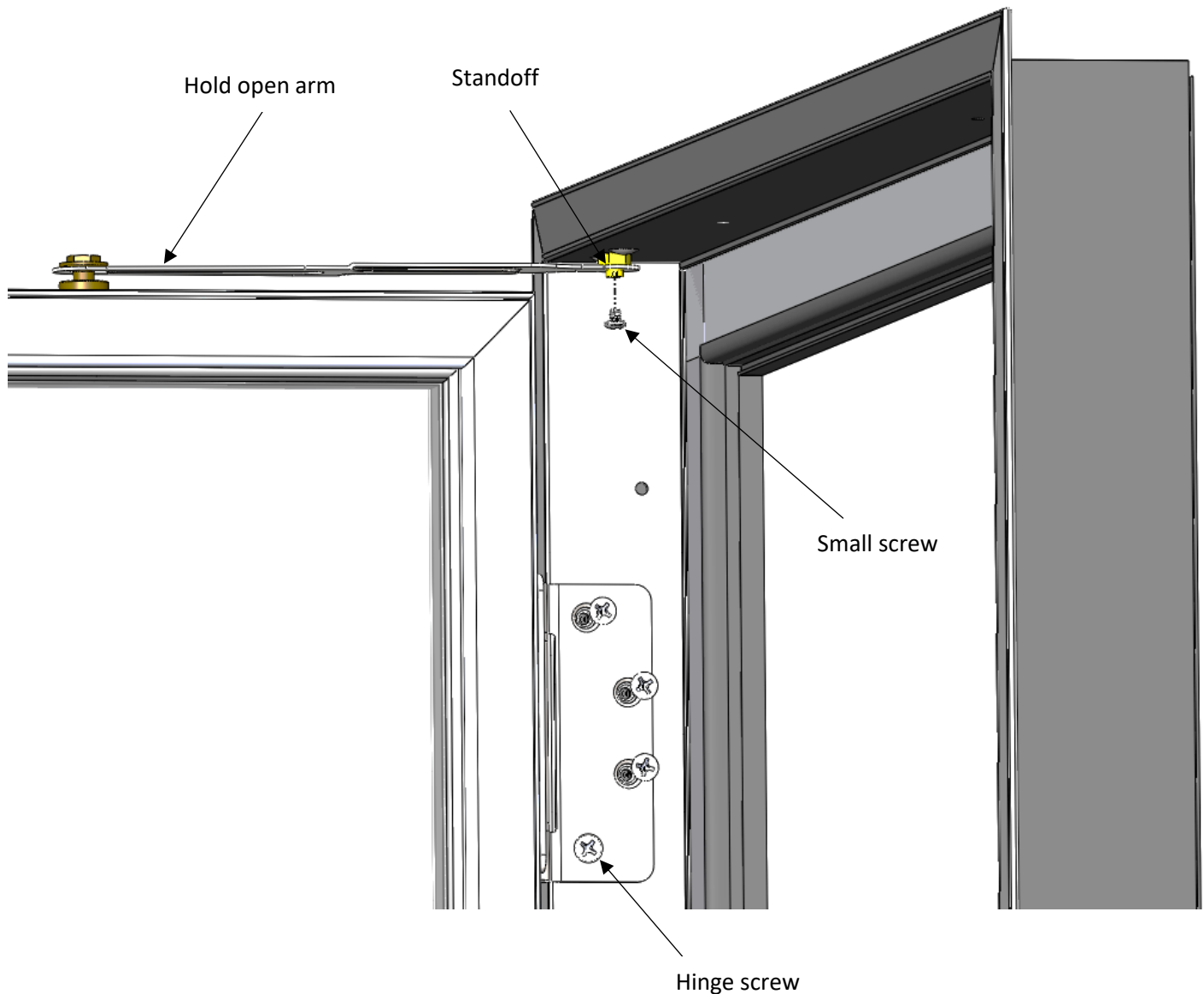
- 1.1. Follow carefully the instructions in the INSTALLATION & OPERATIONS MANUAL: SELECT, PRO-E, PRIME, VUE. (Download available at <http://energydoorco.com/technical-documents>)
- 1.2. Using a spirit level, make sure that the frame is level on all 3-axes. Shim as needed.
- 1.3. Measure from corner-to-corner to verify that the frame is plumb and square.



(Viewed from the inside)

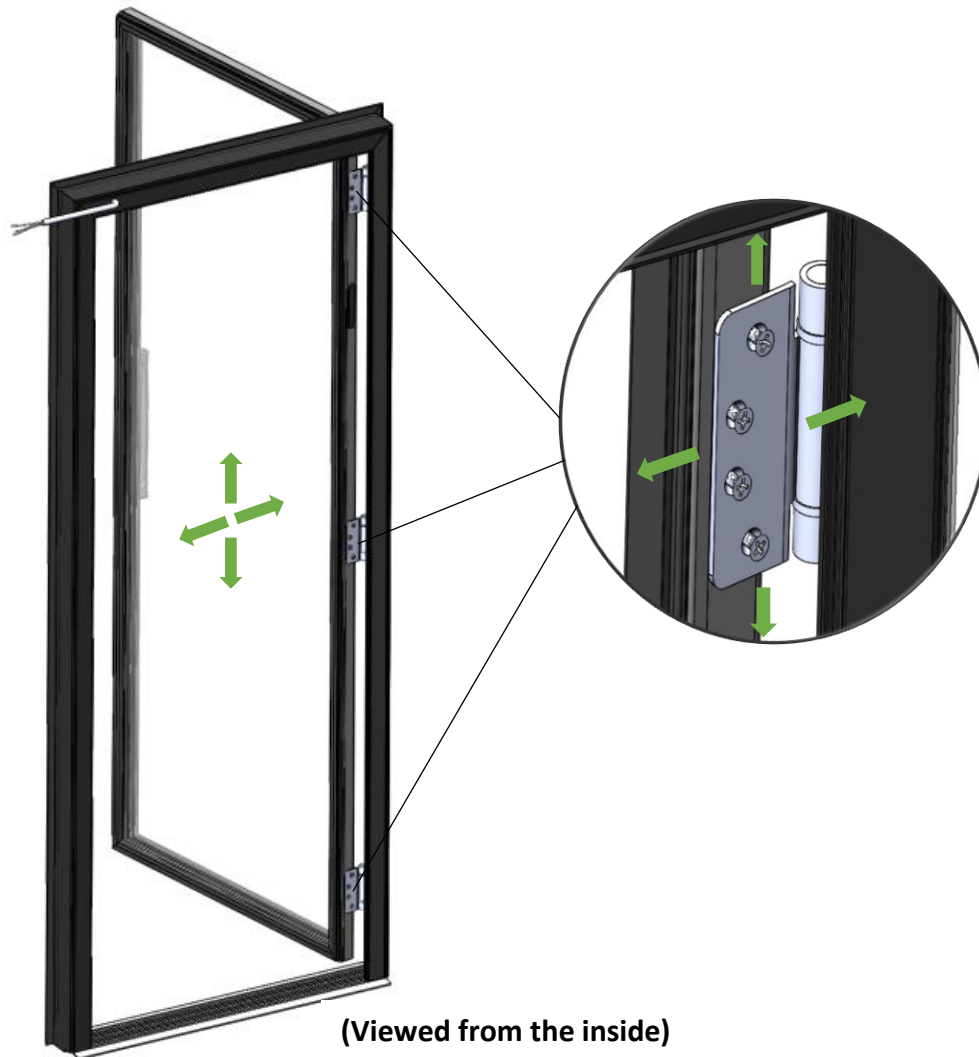
2. DOOR INSTALLATION

- 2.1. Unscrew and remove all screws from the frame (4 screws per hinge).
- 2.2. Align the door hinges with the holes on the frame and screw back the bottom screw on each hinge to maintain the door in place.
- 2.3. Install remaining screws.
- 2.4. Align hold open arm hole with frame hex standoff and install small screw as shown on picture bellow.



3. DOOR ADJUSTMENT

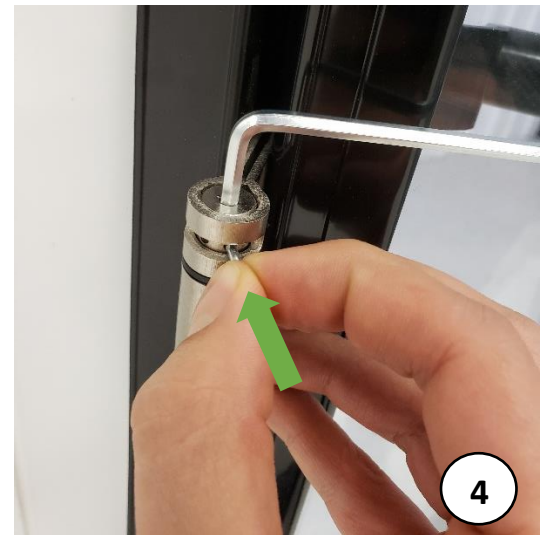
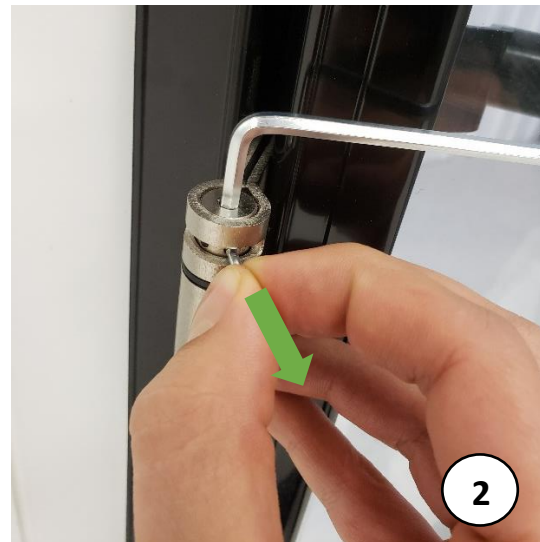
- 3.1. Open the door and locate the 12 screws that secures the door on the hinges.
- 3.2. Unscrew partially the 12 screws (4 on each hinge).
- 3.3. Move the door to desired adjustment and screw back permanently the 12 screws (one hinge at a time).



4. ADDING/REMOVING TORQUE TO HINGES

- 4.1. Place Allen key* in the door hinge adjustment capstan and rotate clockwise.
- 4.2. Hold the Allen key and remove stopper pin.
- 4.3. Turn clockwise (to add torque) or counter-clockwise (to remove torque).
- 4.4. Place pin in desired hole and remove Allen key.
- 4.5. Once the stopper pin has been reinserted, check the door closing tension. Repeat steps if needed.

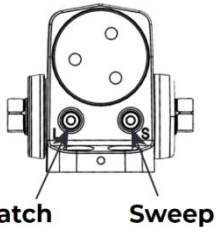
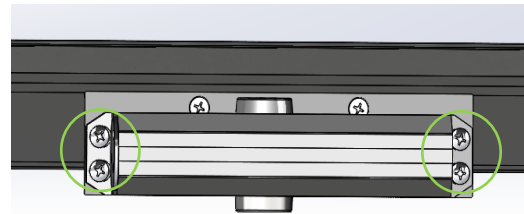
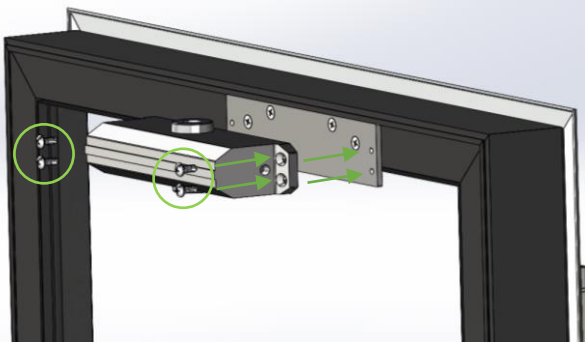
Please repeat all steps for each hinge, to ensure a uniform adjustment.



*a kit is provided with the pass-thru, including an Allen key, a stopper pin, a tension adjustment rod and an instruction sheet on recommended adjustment settings.

5. OPTIONAL: INSTALLING HYDRAULIC CLOSER

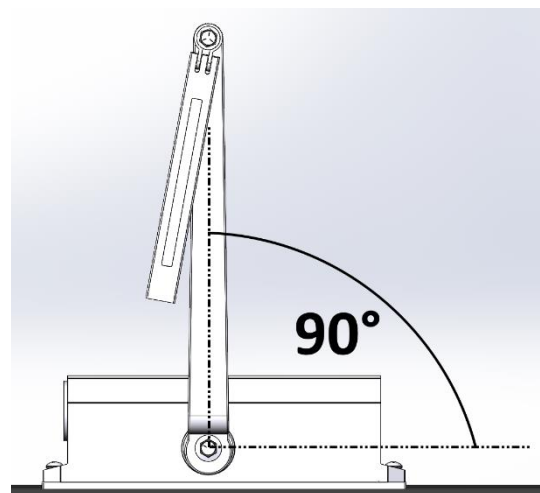
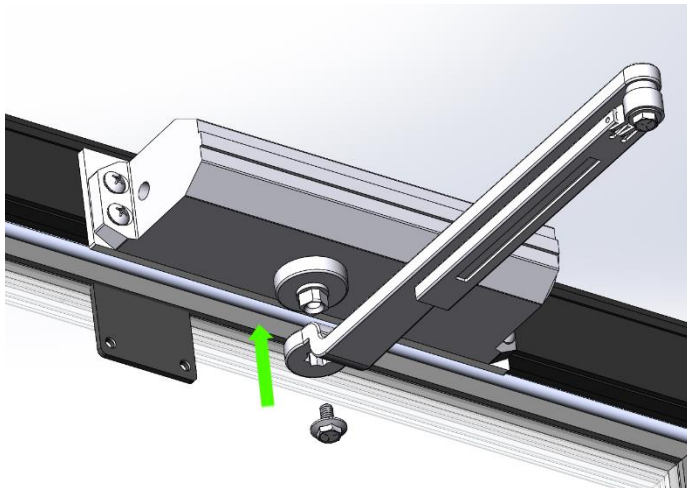
- 5.1. Using a Phillips screwdriver and four 1/4-20 Oval Flat Head Machine Screws provided, mount the closer on the mounting bracket at the top of the frame making sure the side with the Latch and Sweep adjustment is facing towards the hinge of the door.



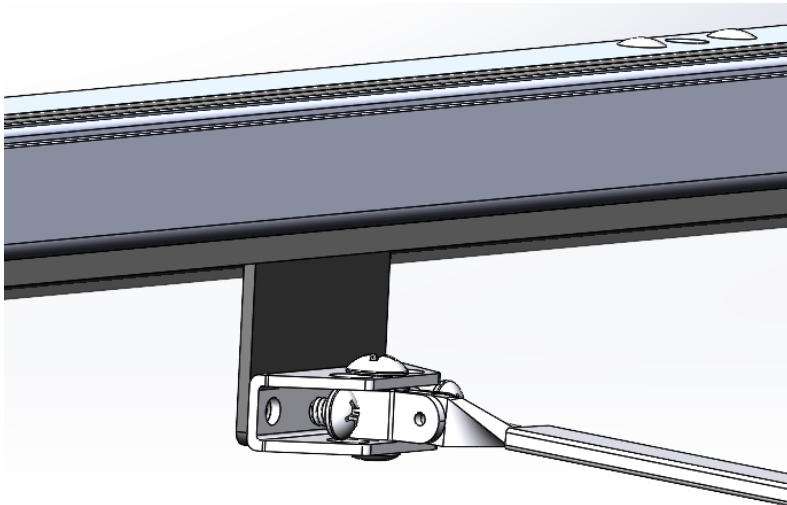
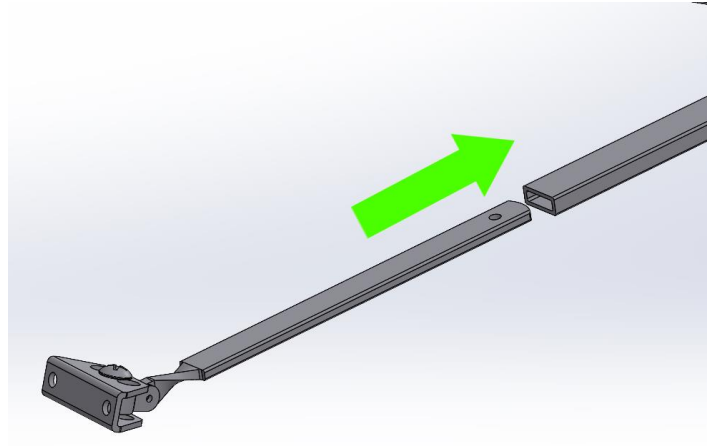
IMPORTANT

The closer needs to be mounted with the side with the Latch and Sweep adjustment **FACING** towards the hinge of the door.

- 5.2. Mount the main arm on the closer at a 90 degrees angle from the door. A rubber mallet might be required to push it in place. Screw the Main Arm screw by hand and tighten it with an adjustable wrench.



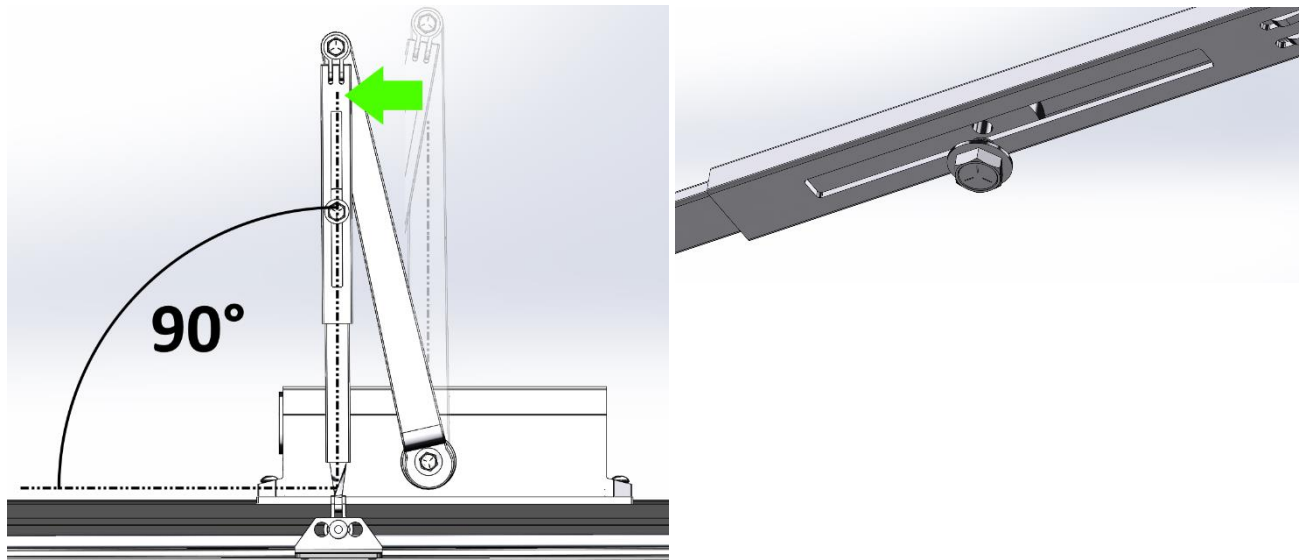
5.3. Slide the connecting rod on the forearm.



5.4. With the 5/32" Hex Key (provided with the Passthrough) and two 1/4-20 X 1/4 Button Socket Cap screws, fasten the forearm onto the door mounting bracket.

DOOR INSTALLATION AND ADJUSTMENT INSTRUCTIONS

- 5.5. Preload the spring by rotation the main arm so that the forearm is at a 90 degrees angle from the door. Hold it in place and tighten the forearm screw using a Philips screwdriver.



Note: If you are unable to rotate it in the proper direction, the Closer has been installed facing the wrong way.

- 5.6. Refer to the Hydraulic Closer manual for instruction to adjust the latch, sweep and backcheck.

