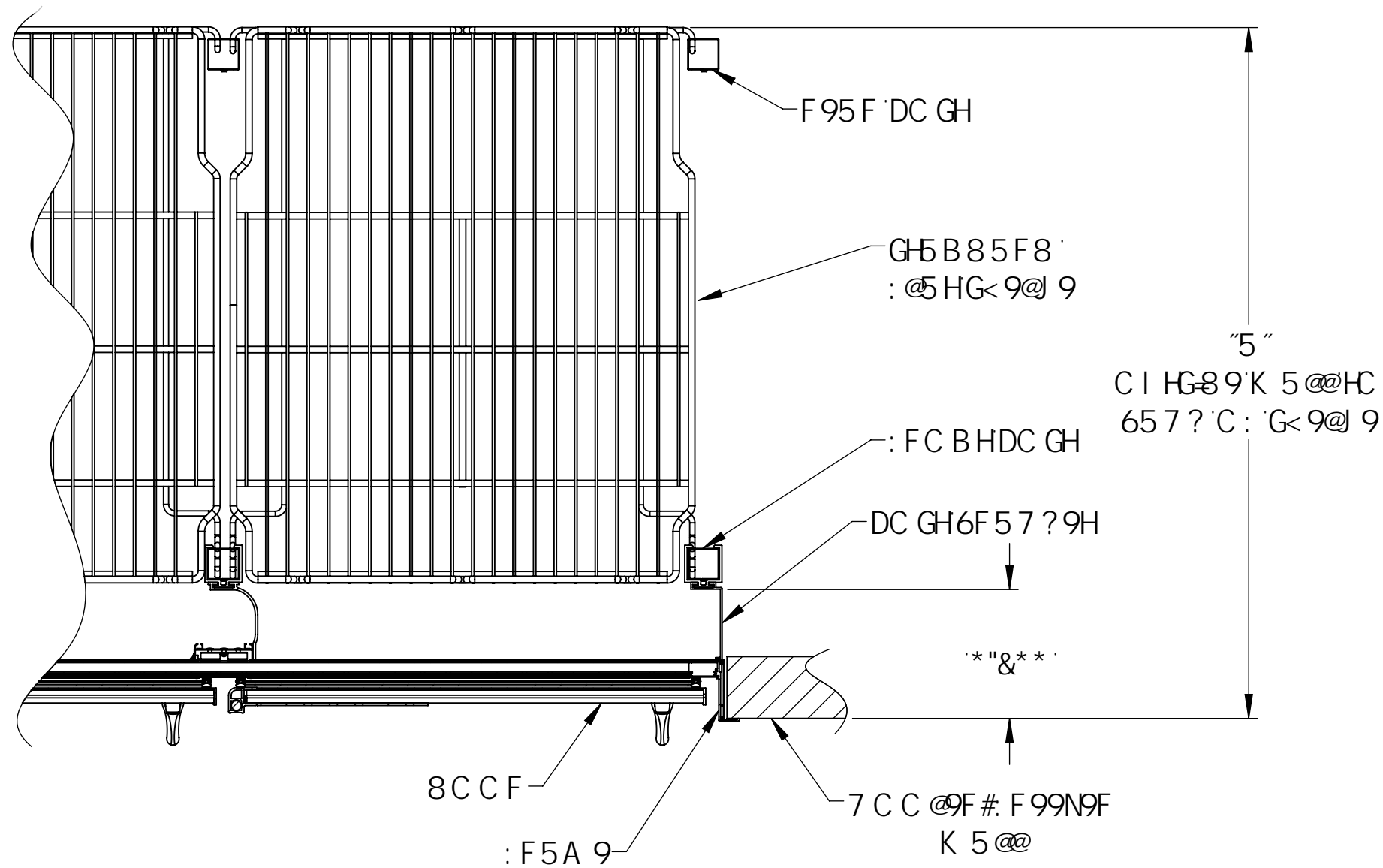


G< 9@ 9'8 9DHk '5"	
&(' \$", +)
&+	' ' ", +)
' \$	' *", +)
' *	(&", +)
('	(- ", +)



ENERGY DOOR COMPANY
The Choice is Clear

H:9-B: CFA 5HCB
7C B15-B98-B H:G
8F5K-B: GH-9GD @
DFC D9FHC: 989: M
8CCF7CBDE: BM5BM
F9DFC817HC B'D5FHCF
5G5 K<C @K #C1 Hk9
K F#H8B D9FA GGC B C:
989: M8CFC7CBDE: BM
GDFC<6#8B

F9J "	89G7 F-DHC B	6M	5DD	85HP	89G7 F-DHC B	F9J-GC B															
5	: FGHF9@95G9	8J	: A	&\$% ! \$-1%&	G9H657?'7<5FH: CF'GB; @'K-89'	6															
6	8-A 9BGC B'***&***#158898	8J	6A	&\$% ! \$(!&	G< 9@ 9G	LLLLLLL															
				<table border="1"> <tr> <td>8F5K B 6M</td> <td>85HP</td> <td>89G7 F-DHC B</td> </tr> <tr> <td>8J</td> <td>\$-1%&%</td> <td></td> </tr> <tr> <td>7<97?98'6M</td> <td>85HP</td> <td></td> </tr> <tr> <td>: 'A 5F7C I L</td> <td>\$-1%&%</td> <td></td> </tr> <tr> <td>5DDFCJ 98'6M</td> <td>85HP</td> <td></td> </tr> </table>	8F5K B 6M	85HP	89G7 F-DHC B	8J	\$-1%&%		7<97?98'6M	85HP		: 'A 5F7C I L	\$-1%&%		5DDFCJ 98'6M	85HP		8K; "BC"	
8F5K B 6M	85HP	89G7 F-DHC B																			
8J	\$-1%&%																				
7<97?98'6M	85HP																				
: 'A 5F7C I L	\$-1%&%																				
5DDFCJ 98'6M	85HP																				
				<table border="1"> <tr> <td>8F5K B: 'GH 5-BG-M(')</td> <td>: B-G<</td> <td></td> </tr> <tr> <td>H: #8 5B: @DFC >97 HC B</td> <td>A 5HPF-5@</td> <td></td> </tr> </table>	8F5K B: 'GH 5-BG-M(')	: B-G<		H: #8 5B: @DFC >97 HC B	A 5HPF-5@		GNP 6	K 9= <H	G< 99H %C : %								
8F5K B: 'GH 5-BG-M(')	: B-G<																				
H: #8 5B: @DFC >97 HC B	A 5HPF-5@																				